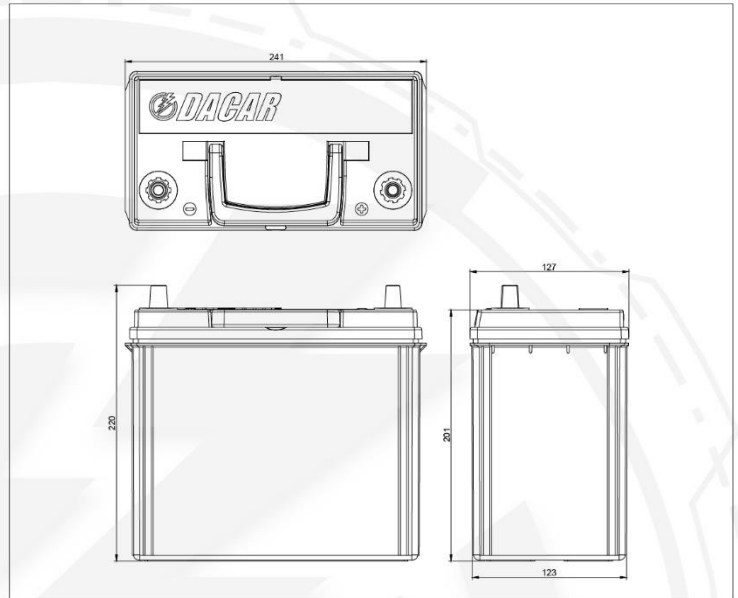




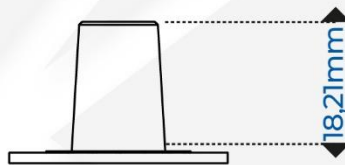
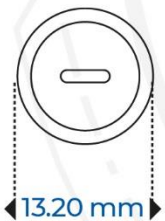
BP N40-57

DATA SHEET



TYPE OF TERMINAL

Jis Pencil Post



POLARITY



NORMAL

SPECIFICATIONS AND CHARACTERISTICS



VOLTAGE
Ah
RES. MIN
CCA -18°C
CA -0°C

12V
57
76
460
552



DIMENSIONS

LENGTH 238 mm
WIDTH 133 mm
HEIGHT 228 mm



BOX BATTERY COVER OPTIONS

SEPARATOR TYPE OF BATTERY

PP OF HIGH IMPACT
FLAT TYPE WITH HANDLE
1- LMP=SMF
2-POD(PUSH IN VENT PLUG)
PE ENVELOPE
MAINTENANCE FREE
TECHNOLOGY



Máxima Duración

